

A  
B  
C  
D  
E  
F  
G  
H  
I  
J  
K  
L  
M  
N  
O  
P

# SECTION **VTL** VENTILATION SYSTEM

## CONTENTS

<p><b>PRECAUTION</b> ..... 3</p> <p><b>PRECAUTIONS</b> ..... 3</p> <p style="padding-left: 20px;">Precaution for Supplemental Restraint System (SRS) "AIR BAG" and "SEAT BELT PRE-TENSIONER" .....3</p> <p style="padding-left: 20px;">Precaution for Battery Service .....3</p> <p style="padding-left: 20px;">Service Procedure Precautions for Models with a Pop-up Roll Bar .....3</p> <p><b>PREPARATION</b> ..... 4</p> <p><b>PREPARATION</b> ..... 4</p> <p style="padding-left: 20px;">Commercial Service Tool .....4</p> <p><b>SYSTEM DESCRIPTION</b> ..... 5</p> <p><b>VENTILATION SYSTEM</b> ..... 5</p> <p style="padding-left: 20px;">System Description .....5</p> <p><b>REMOVAL AND INSTALLATION</b> ..... 8</p> <p><b>DUCT AND GRILLE</b> ..... 8</p> <p style="padding-left: 20px;">Exploded View .....8</p> <p><b>CENTER VENTILATOR GRILLE</b> .....9</p> <p style="padding-left: 20px;">CENTER VENTILATOR GRILLE : Removal and Installation .....9</p> <p><b>SIDE VENTILATOR GRILLE</b> .....10</p> <p style="padding-left: 20px;">SIDE VENTILATOR GRILLE : Removal and Installation ..... 10</p> <p><b>SIDE DEFROSTER GRILLE</b> .....10</p> <p style="padding-left: 20px;">SIDE DEFROSTER GRILLE : Removal and Installation ..... 10</p> <p><b>VENTILATOR DUCT</b> .....10</p> <p style="padding-left: 20px;">VENTILATOR DUCT : Removal and Installation .... 10</p> <p><b>UPPER VENTILATOR DUCT</b> .....11</p> <p style="padding-left: 20px;">UPPER VENTILATOR DUCT : Removal and Installation ..... 11</p>	<p><b>DEFROSTER NOZZLE AND SIDE DEFROSTER NOZZLE</b> .....11</p> <p style="padding-left: 20px;">DEFROSTER NOZZLE AND SIDE DEFROSTER NOZZLE : Removal and Installation .....11</p> <p><b>FRONT FOOT DUCT</b> .....12</p> <p style="padding-left: 20px;">FRONT FOOT DUCT : Removal and Installation....12</p> <p><b>HEATER DUCT</b> .....13</p> <p style="padding-left: 20px;">HEATER DUCT : Removal and Installation .....13</p> <p><b>REAR FOOT DUCT 1</b> .....13</p> <p style="padding-left: 20px;">REAR FOOT DUCT 1 : Removal and Installation....13</p> <p><b>REAR FOOT DUCT 2</b> .....13</p> <p style="padding-left: 20px;">REAR FOOT DUCT 2 : Removal and Installation....14</p> <p><b>REAR FOOT DUCT 3</b> .....14</p> <p style="padding-left: 20px;">REAR FOOT DUCT 3 : Removal and Installation....14</p> <p><b>REAR VENTILATOR DUCT 1</b> .....15</p> <p style="padding-left: 20px;">REAR VENTILATOR DUCT 1 : Removal and Installation .....15</p> <p><b>REAR VENTILATOR DUCT 2</b> .....15</p> <p style="padding-left: 20px;">REAR VENTILATOR DUCT 2 : Removal and Installation ..... 15</p> <p><b>REAR VENTILATOR DUCT 3</b> .....16</p> <p style="padding-left: 20px;">REAR VENTILATOR DUCT 3 : Removal and Installation ..... 16</p> <p><b>REAR VENTILATOR GRILLE</b> .....16</p> <p style="padding-left: 20px;">REAR VENTILATOR GRILLE : Removal and Installation .....16</p> <p><b>BLOWER UNIT</b> .....18</p> <p style="padding-left: 20px;">Exploded View .....18</p> <p style="padding-left: 20px;">Removal and Installation .....19</p> <p><b>BLOWER MOTOR</b> .....21</p> <p style="padding-left: 20px;">Exploded View .....21</p> <p style="padding-left: 20px;">Removal and Installation .....21</p>
---	--



---

<b>IN-CABIN MICROFILTER .....</b>	<b>22</b>	<b>SERVICE DATA AND SPECIFICATIONS</b>	
Exploded View .....	22	<b>(SDS) .....</b>	<b>23</b>
Removal and Installation .....	22	<b>SERVICE DATA AND SPECIFICATIONS</b>	
Replacement .....	22	<b>(SDS) .....</b>	<b>23</b>
		In-cabin microfilter .....	23

# PRECAUTIONS

< PRECAUTION >

## PRECAUTION

### PRECAUTIONS

#### Precaution for Supplemental Restraint System (SRS) "AIR BAG" and "SEAT BELT PRE-TENSIONER"

INFOID:000000007818048

The Supplemental Restraint System such as "AIR BAG" and "SEAT BELT PRE-TENSIONER", used along with a front seat belt, helps to reduce the risk or severity of injury to the driver and front passenger for certain types of collision. This system includes seat belt switch inputs and dual stage front air bag modules. The SRS system uses the seat belt switches to determine the front air bag deployment, and may only deploy one front air bag, depending on the severity of a collision and whether the front occupants are belted or unbelted. Information necessary to service the system safely is included in the "SRS AIR BAG" and "SEAT BELT" of this Service Manual.

#### **WARNING:**

Always observe the following items for preventing accidental activation.

- To avoid rendering the SRS inoperative, which could increase the risk of personal injury or death in the event of a collision that would result in air bag inflation, all maintenance must be performed by an authorized NISSAN/INFINITI dealer.
- Improper maintenance, including incorrect removal and installation of the SRS, can lead to personal injury caused by unintentional activation of the system. For removal of Spiral Cable and Air Bag Module, see "SRS AIR BAG".
- Never use electrical test equipment on any circuit related to the SRS unless instructed to in this Service Manual. SRS wiring harnesses can be identified by yellow and/or orange harnesses or harness connectors.

#### PRECAUTIONS WHEN USING POWER TOOLS (AIR OR ELECTRIC) AND HAMMERS

#### **WARNING:**

Always observe the following items for preventing accidental activation.

- When working near the Air Bag Diagnosis Sensor Unit or other Air Bag System sensors with the ignition ON or engine running, never use air or electric power tools or strike near the sensor(s) with a hammer. Heavy vibration could activate the sensor(s) and deploy the air bag(s), possibly causing serious injury.
- When using air or electric power tools or hammers, always switch the ignition OFF, disconnect the battery, and wait at least 3 minutes before performing any service.

#### Precaution for Battery Service

INFOID:000000007818050

Before disconnecting the battery, lower both the driver and passenger windows. This will prevent any interference between the window edge and the vehicle when the door is opened/closed. During normal operation, the window slightly raises and lowers automatically to prevent any window to vehicle interference. The automatic window function will not work with the battery disconnected.

#### Service Procedure Precautions for Models with a Pop-up Roll Bar

INFOID:000000007818052

#### **WARNING:**

Always observe the following items for preventing accidental activation.

- Risk of passenger injury or death may increase if the pop-up roll bar does not deploy during a roll over collision. In order to reduce the chance of an incident where the pop-up roll bar is inoperative, all maintenance must be performed by a NISSAN or INFINITI dealer.
- Before removing and installing the pop-up roll bar component parts and harness, always turn the ignition switch OFF, disconnect the battery negative terminal, and wait for 3 minutes or more. (The purpose of this operation is to discharge electricity that is accumulated in the auxiliary power supply circuit in the air bag diagnosis sensor unit.)
- When repairing, removing, and installing a pop-up roll bar, always refer to SRS AIR BAG and SRS AIR BAG CONTROL warnings in the Service Manual.

A  
B  
C  
D  
E  
F  
G  
H  
VTL  
J  
K  
L  
M  
N  
O  
P

# PREPARATION

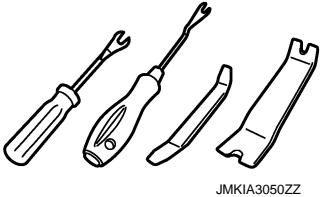
< PREPARATION >

## PREPARATION

### PREPARATION

#### Commercial Service Tool

INFOID:000000007566916

Tool name	Description
Remover tool  JMKIA3050ZZ	Removes clips, pawls and metal clips

# VENTILATION SYSTEM

< SYSTEM DESCRIPTION >

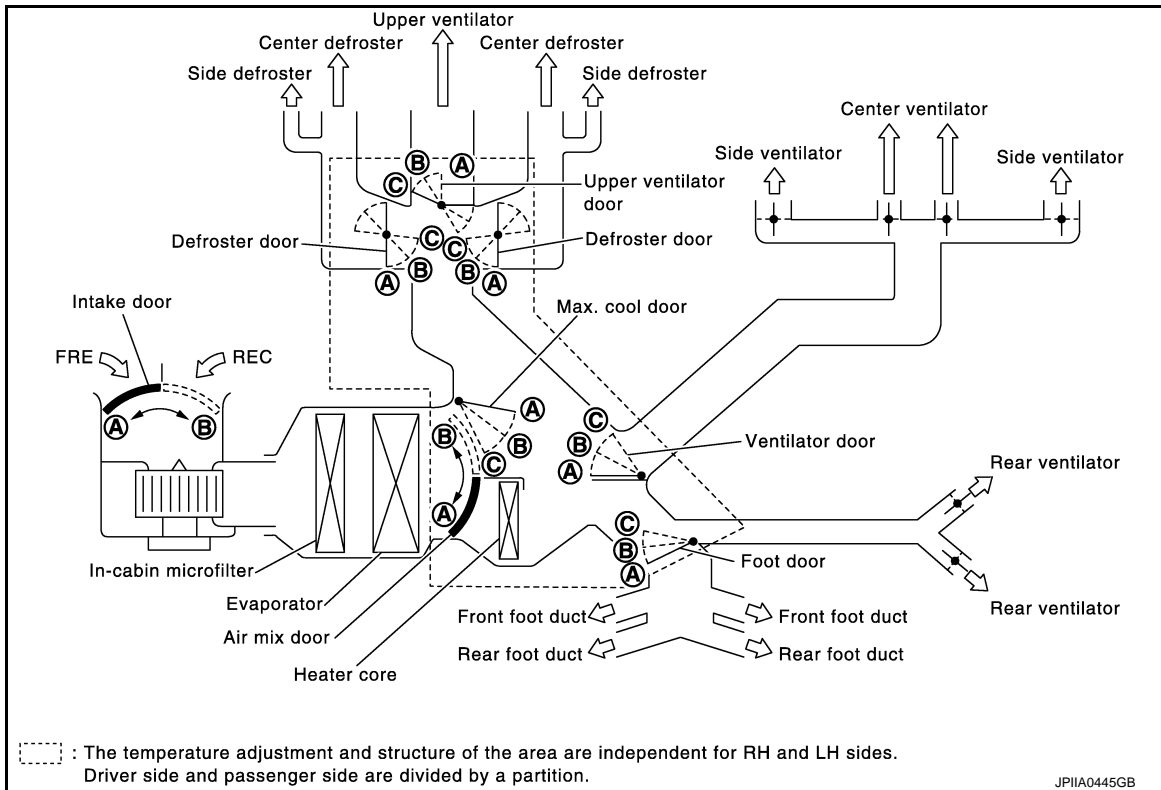
## SYSTEM DESCRIPTION

### VENTILATION SYSTEM

#### System Description

INFOID:000000007566917

#### SWITCH AND THEIR CONTROL FUNCTION

















A  
B  
C  
D  
E  
F  
G  
H  
J  
K  
L  
M  
N  
O  
P

VTL

# VENTILATION SYSTEM

## < SYSTEM DESCRIPTION >






Switch/Dial position			Door position							
			Mode door				Intake door	Upper ventilator door	Air mix door	
			Ventilator door	Max. cool door	Defroster door	Foot door			(Driver side)	(Passenger side)
AUTO switch			AUTO						—	—
MODE switch			A	A	A	A	—	—		
			B	B	A	B				
			C	B	B	C				
			C	B	B	B				
DEF switch			C	C	C	A				
Intake switch*							A			
								B		
UPPER VENT switch								A – B		
								C		
Temperature control dial (Driver side)	DUAL switch: OFF	Full cold [18°C (60°F)]							A	A
		18.5°C – 31.5°C (61°F – 89 °F)							AUTO	AUTO
		Full hot [32°C (90°F)]							B	B
	DUAL switch: ON	Full cold [18°C (60°F)]	—	—	—	—			A	
		18.5°C – 31.5°C (61°F – 89 °F)							AUTO	—
		Full hot [32°C (90°F)]							B	
Temperature control dial (Passenger side)	Full cold [18°C (60°F)]									A
	18.5°C – 31.5°C (61°F – 89 °F)								—	AUTO
	Full hot [32°C (90°F)]									B
ON-OFF switch	OFF		C	B	B	C				—

\*: Inlet status is displayed by indicator during activating automatic control

## AIR DISTRIBUTION

# VENTILATION SYSTEM

## < SYSTEM DESCRIPTION >

Discharge air flow								
MODE/DEF set position	Condition	Air outlet/distribution						
		Ventilator				Foot		Defroster
		Front		Upper	Rear	Front	Rear	
		Center	Side					
	<ul style="list-style-type: none"> <li>• DUAL switch: OFF</li> <li>• UPPER VENT switch: ON</li> </ul>	40%	41%	8%	11%	—	—	—
		18%	24%	10%	17%	23%	8%	—
		—	12%	12%	15.5%	27.5%	12%	21%
		—	11%	11%	14%	24%	11%	29%
		—	11%	10.5%	12.5%	—	—	66%

A  
B  
C  
D  
E  
F  
G  
H  
VTL  
J  
K  
L  
M  
N  
O  
P

VTL

# DUCT AND GRILLE

< REMOVAL AND INSTALLATION >

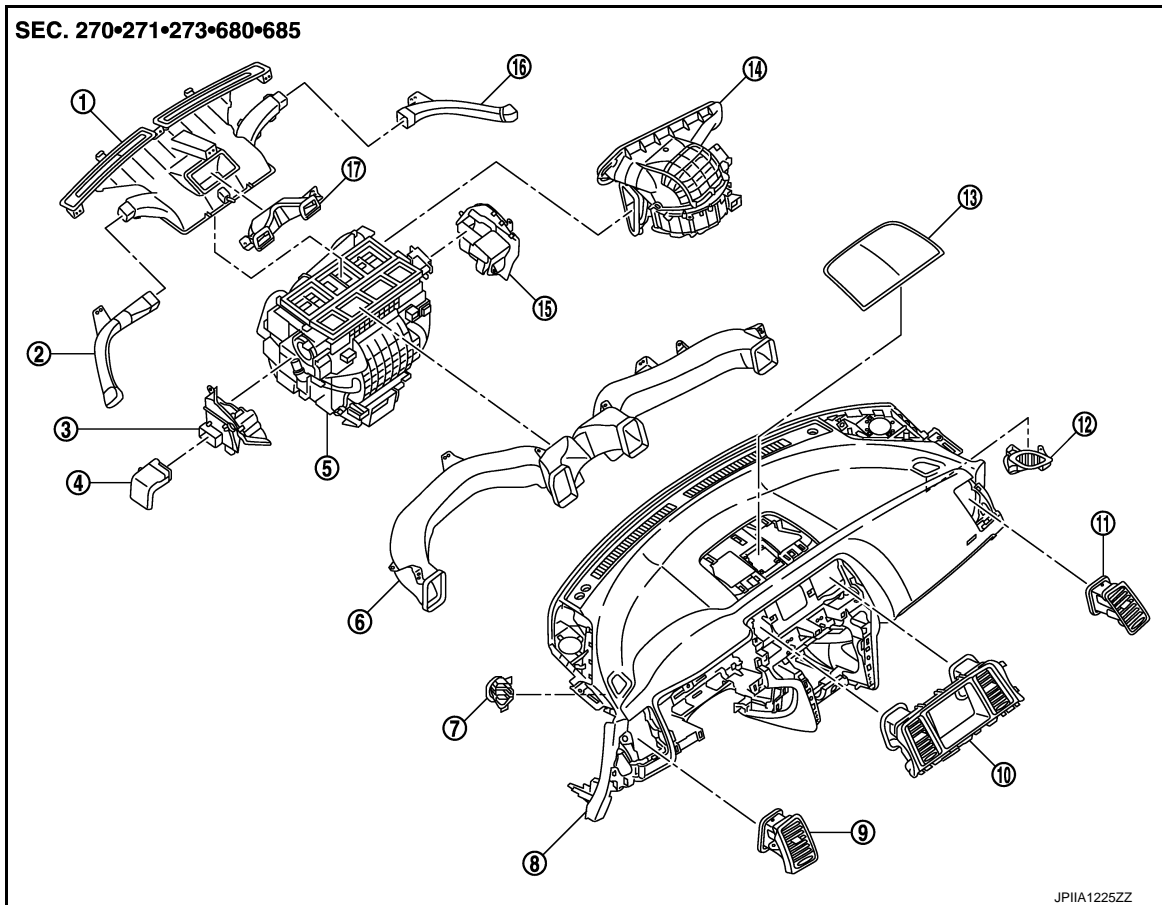
## REMOVAL AND INSTALLATION

### DUCT AND GRILLE

Exploded View

INFOID:000000007566918

FRONT



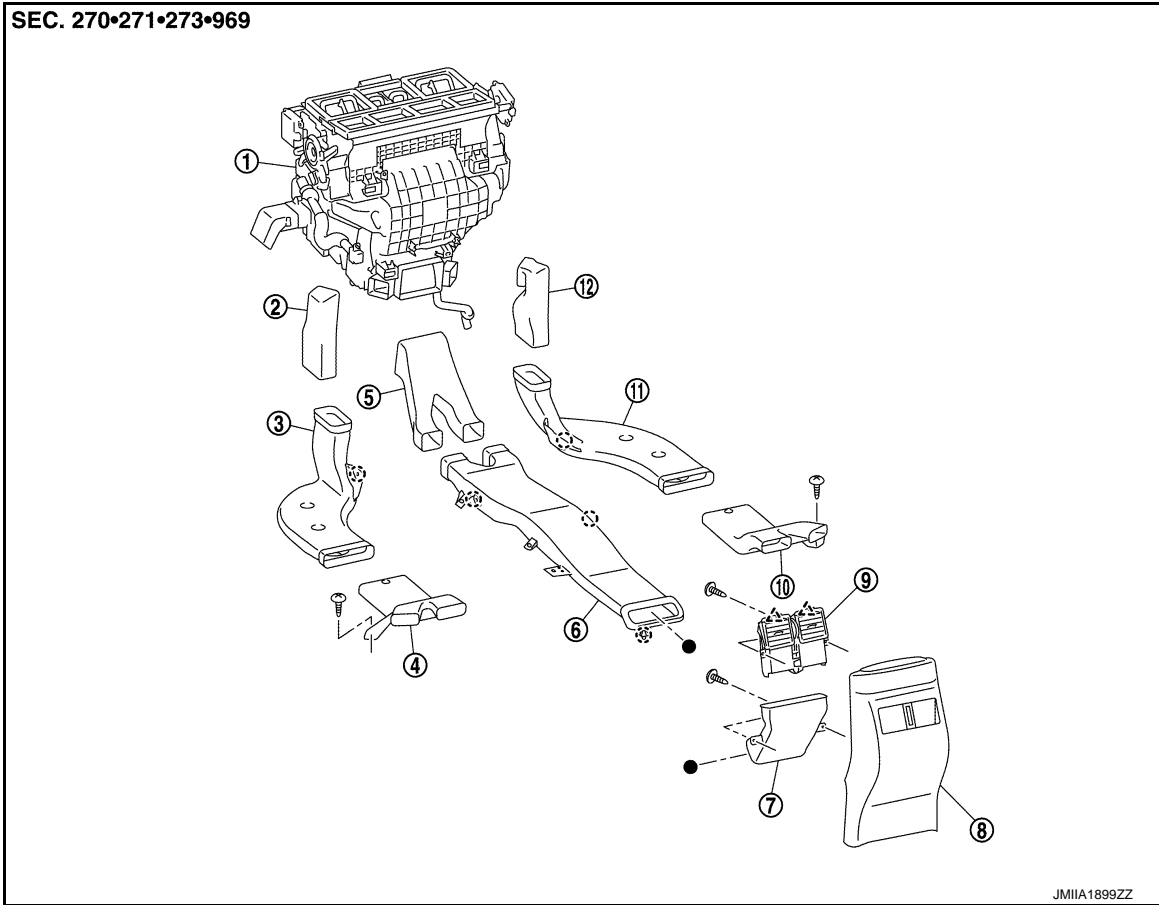
- |                                       |                                   |                              |
|---------------------------------------|-----------------------------------|------------------------------|
| 1. Defroster nozzle                   | 2. Side defroster nozzle LH       | 3. Front foot duct LH        |
| 4. Heater duct                        | 5. Heater & cooling unit assembly | 6. Ventilator duct           |
| 7. Side defroster grille LH           | 8. Instrument panel assembly      | 9. Side ventilator grille LH |
| 10. Center ventilator grille assembly | 11. Side ventilator grille RH     | 12. Side defroster grille RH |
| 13. Center speaker grille             | 14. Blower unit assembly          | 15. Front foot duct RH       |
| 16. Side defroster nozzle RH          | 17. Upper ventilator duct         |                              |

REAR



# DUCT AND GRILLE

< REMOVAL AND INSTALLATION >



- |                                   |                           |                           |
|-----------------------------------|---------------------------|---------------------------|
| 1. Heater & cooling unit assembly | 2. Rear foot duct 1 LH    | 3. Rear foot duct 2 LH    |
| 4. Rear foot duct 3 LH            | 5. Rear ventilator duct 1 | 6. Rear ventilator duct 2 |
| 7. Rear ventilator duct 3         | 8. Console rear finisher  | 9. Rear ventilator grille |
| 10. Rear foot duct 3 RH           | 11. Rear foot duct 2 RH   | 12. Rear foot duct 1 RH   |

- : Clip  
 △ : Pawl

## CENTER VENTILATOR GRILLE

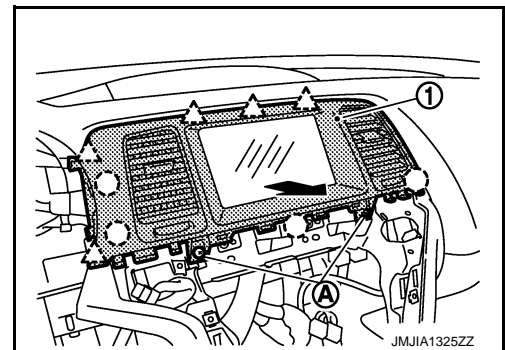
### CENTER VENTILATOR GRILLE : Removal and Installation

INFOID:000000007566919

#### REMOVAL

1. Remove cluster lid A. Refer to [IP-12, "Exploded View"](#).
2. Remove cluster lid D. Refer to [IP-12, "Exploded View"](#).
3. Remove fixing screws (A).
4. Pull out center ventilator grille assembly (1) toward instrument panel assembly to remove.

- : Clip  
 △ : Pawl



#### INSTALLATION

A  
B  
C  
D  
E  
F  
G  
H  
J  
K  
L  
M  
N  
O  
P

VTL

# DUCT AND GRILLE

## < REMOVAL AND INSTALLATION >

Install in the reverse order of removal.


### SIDE VENTILATOR GRILLE

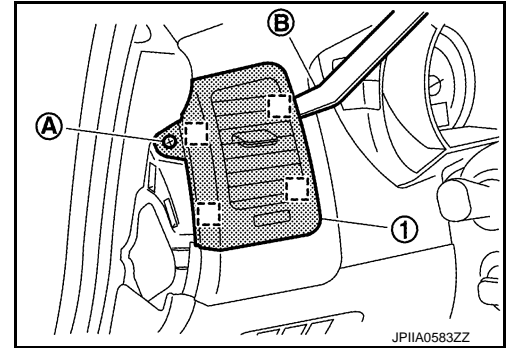
#### SIDE VENTILATOR GRILLE : Removal and Installation

INFOID:000000007566920

##### REMOVAL

1. Remove instrument side finisher. Refer to [IP-12, "Exploded View"](#).
2. Remove fixing screw (A).
3. Disengage fixing metal clips using a remover tool (B), and then remove side ventilator grille (1).

 : Metal clip



##### INSTALLATION

Install in the reverse order of removal.

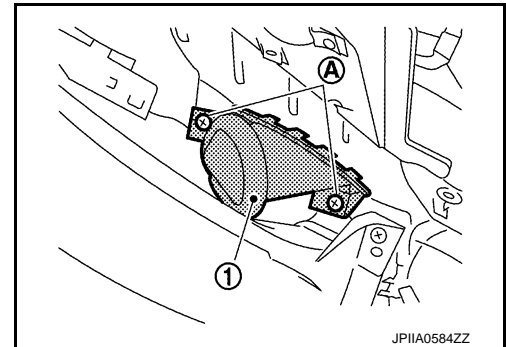
### SIDE DEFROSTER GRILLE

#### SIDE DEFROSTER GRILLE : Removal and Installation

INFOID:000000007566921

##### REMOVAL

1. Remove instrument panel assembly. Refer to [IP-13, "Removal and Installation"](#).
2. Remove defroster nozzle and side defroster nozzle. Refer to [VTL-11, "DEFROSTER NOZZLE AND SIDE DEFROSTER NOZZLE : Removal and Installation"](#).
3. Remove fixing screws (A), and then remove side defroster grille (1).



##### INSTALLATION

Install in the reverse order of removal.

### VENTILATOR DUCT

#### VENTILATOR DUCT : Removal and Installation

INFOID:000000007566922

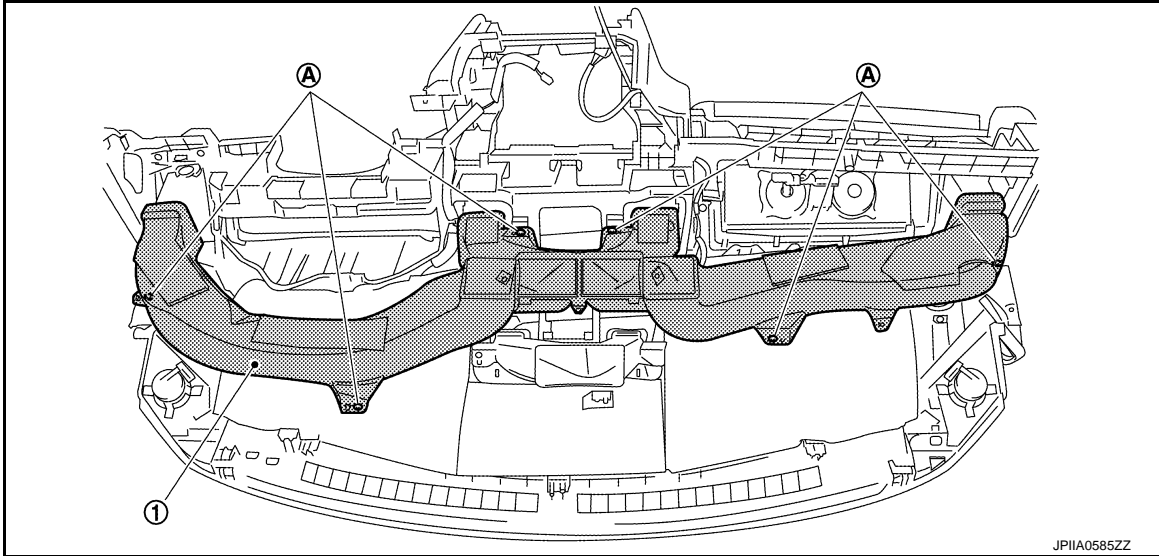
##### REMOVAL

1. Remove instrument panel assembly. Refer to [IP-13, "Removal and Installation"](#).
2. Remove defroster nozzle and side defroster nozzle. Refer to [VTL-11, "DEFROSTER NOZZLE AND SIDE DEFROSTER NOZZLE : Removal and Installation"](#).

# DUCT AND GRILLE

## < REMOVAL AND INSTALLATION >

3. Remove fixing screws (A), and then remove ventilator duct (1).



### INSTALLATION

Install in the reverse order of removal.

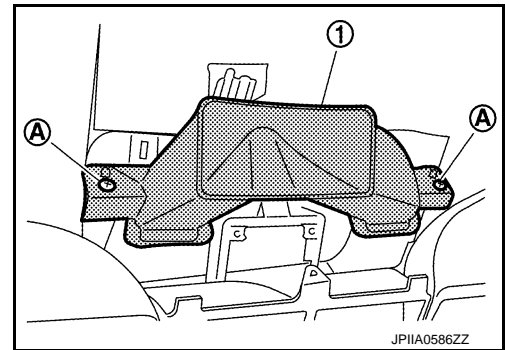
### UPPER VENTILATOR DUCT

#### UPPER VENTILATOR DUCT : Removal and Installation

INFOID:000000007566923

### REMOVAL

1. Remove instrument panel assembly. Refer to [IP-13, "Removal and Installation"](#).
2. Remove defroster nozzle and side defroster nozzle. Refer to [VTL-11, "DEFROSTER NOZZLE AND SIDE DEFROSTER NOZZLE : Removal and Installation"](#).
3. Remove fixing screws (A), and then remove upper ventilator duct (1).



### INSTALLATION

Install in the reverse order of removal.

### DEFROSTER NOZZLE AND SIDE DEFROSTER NOZZLE

#### DEFROSTER NOZZLE AND SIDE DEFROSTER NOZZLE : Removal and Installation

INFOID:000000007566924

### REMOVAL

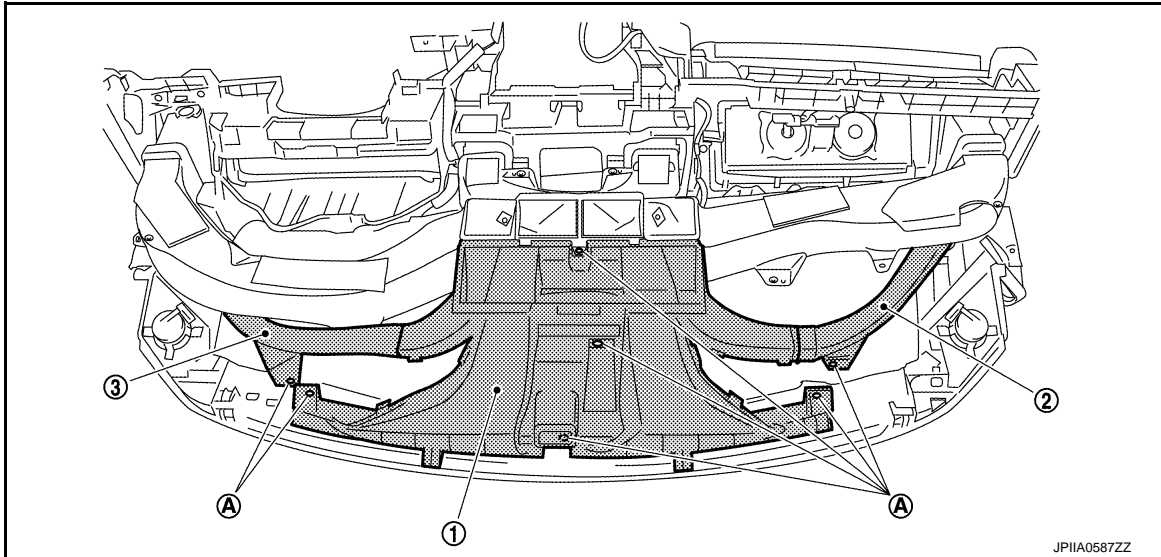
1. Remove instrument panel assembly. Refer to [IP-12, "Exploded View"](#).

A  
B  
C  
D  
E  
F  
G  
H  
VTL  
J  
K  
L  
M  
N  
O  
P

# DUCT AND GRILLE

## < REMOVAL AND INSTALLATION >

2. Remove mounting screws (A), and then remove defroster nozzle (1), side defroster nozzle RH (2) and side defroster nozzle LH (3) from instrument panel assembly as a set.



3. Remove side defroster nozzle (LH and RH) from defroster nozzle.

## INSTALLATION

Install in the reverse order of removal.

## FRONT FOOT DUCT

### FRONT FOOT DUCT : Removal and Installation

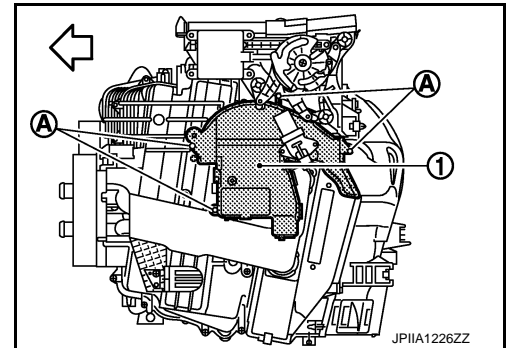
INFOID:000000007566925

## REMOVAL

### Driver Side

1. Remove instrument lower panel LH. Refer to [IP-13, "Removal and Installation"](#).
2. Remove fixing screws (A), and then remove front foot duct LH (1).

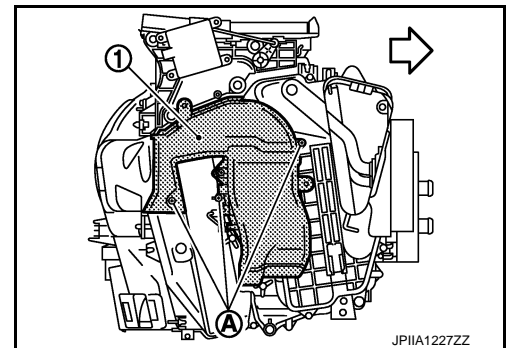
⇐ : Vehicle front



### Passenger Side

1. Remove blower unit assembly. Refer to [VTL-19, "Removal and Installation"](#).
2. Remove fixing screws (A), and harness clip, and then remove front foot duct RH (1).

⇐ : Vehicle front



## INSTALLATION

Install in the reverse order of removal.

# DUCT AND GRILLE

< REMOVAL AND INSTALLATION >

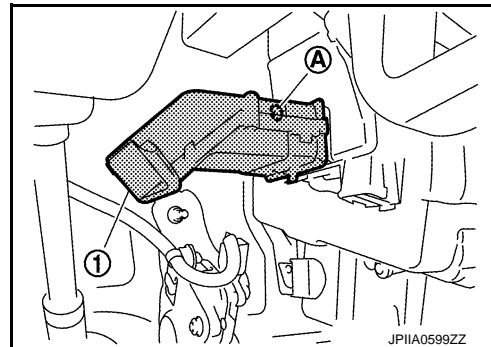
## HEATER DUCT

### HEATER DUCT : Removal and Installation

INFOID:000000007566926

#### REMOVAL

1. Remove instrument lower panel LH. Refer to [IP-13. "Removal and Installation"](#).
2. Remove fixing screw (A), and then remove heater duct (1).



#### INSTALLATION

Install in the reverse order of removal.

## REAR FOOT DUCT 1

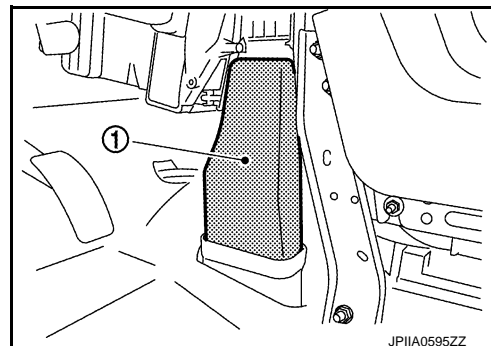
### REAR FOOT DUCT 1 : Removal and Installation

INFOID:000000007566927

#### REMOVAL

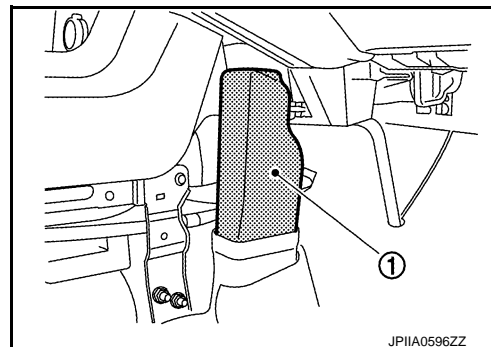
Driver Side

1. Remove instrument lower cover LH. Refer to [IP-21. "Removal and Installation"](#).
2. Remove rear foot duct 1 LH (1).



Passenger Side

1. Remove instrument lower cover RH. Refer to [IP-21. "Removal and Installation"](#).
2. Remove rear foot duct 1 RH (1).



#### INSTALLATION

Install in the reverse order of removal.

## REAR FOOT DUCT 2

A  
B  
C  
D  
E  
F  
G  
H  
VTL  
J  
K  
L  
M  
N  
O  
P

# DUCT AND GRILLE

< REMOVAL AND INSTALLATION >

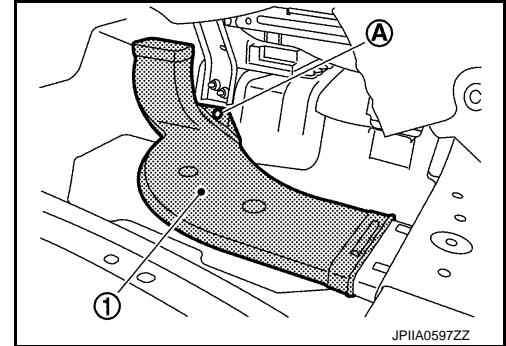
## REAR FOOT DUCT 2 : Removal and Installation

INFOID:000000007566928

### REMOVAL

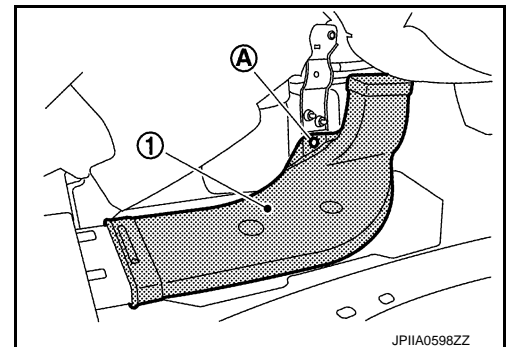
#### Driver Side

1. Remove rear foot duct 1 LH. Refer to [VTL-13, "REAR FOOT DUCT 1 : Removal and Installation"](#).
2. Pull up driver side floor carpet of secure work space. Refer to [INT-24, "Exploded View"](#).
3. Remove fixing clip (A), and then remove rear foot duct 2 LH (1).



#### Passenger Side

1. Remove rear foot duct 1 RH. Refer to [VTL-13, "REAR FOOT DUCT 1 : Removal and Installation"](#).
2. Pull up passenger side floor carpet of secure work space. Refer to [INT-24, "Exploded View"](#).
3. Remove fixing clip (A), and then remove rear foot duct 2 RH (1).



### INSTALLATION

Install in the reverse order of removal.

## REAR FOOT DUCT 3

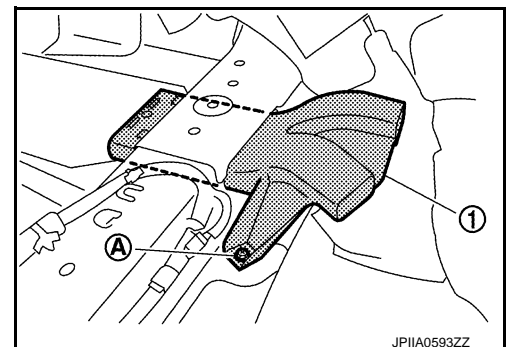
## REAR FOOT DUCT 3 : Removal and Installation

INFOID:000000007566929

### REMOVAL

#### Driver Side

1. Remove rear foot duct 2 LH. Refer to [VTL-14, "REAR FOOT DUCT 2 : Removal and Installation"](#).
2. Remove fixing screw (A), and then remove rear foot duct 3 LH (1).



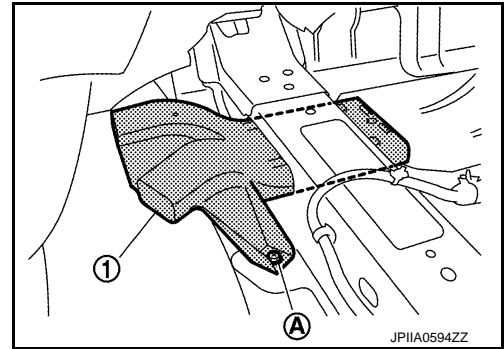
#### Passenger Side

1. Remove rear foot duct 2 LH. Refer to [VTL-14, "REAR FOOT DUCT 2 : Removal and Installation"](#).

## DUCT AND GRILLE

### < REMOVAL AND INSTALLATION >

2. Remove fixing screw (A), and then remove rear foot duct 3 RH (1).



### INSTALLATION

Install in the reverse order of removal.

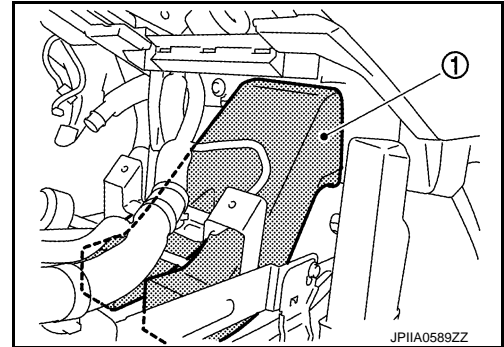
### REAR VENTILATOR DUCT 1

#### REAR VENTILATOR DUCT 1 : Removal and Installation

INFOID:000000007566930

### REMOVAL

1. Remove rear ventilator duct 2. Refer to [VTL-15. "REAR VENTILATOR DUCT 2 : Removal and Installation"](#).
2. Remove rear ventilator duct 1 (1).



### INSTALLATION

Install in the reverse order of removal.

### REAR VENTILATOR DUCT 2

#### REAR VENTILATOR DUCT 2 : Removal and Installation

INFOID:000000007566931

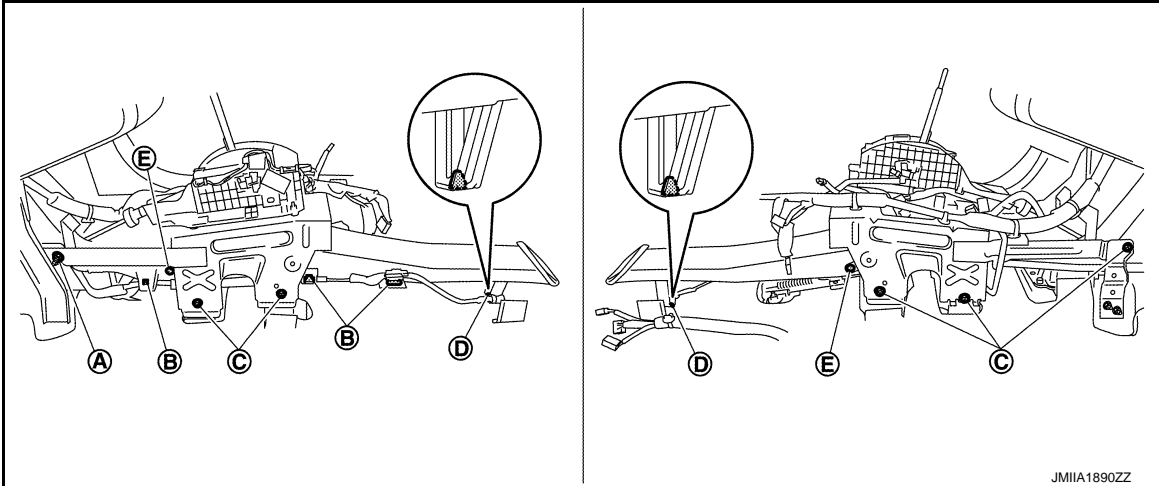
### REMOVAL

1. Remove front seat assembly.
  - Refer to [SE-28. "Removal and Installation"](#). (Driver side)
  - Refer to [SE-39. "Removal and Installation"](#). (Passenger side)
2. Remove lower console assembly. Refer to [IP-21. "Removal and Installation"](#).
3. Remove console reinforcement mounting nut (A) and bolts (C).
4. Remove harness fixing clips (B).

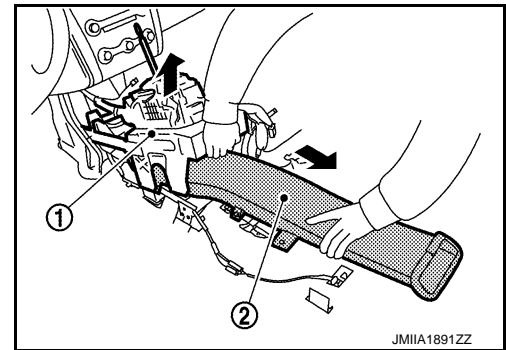
# DUCT AND GRILLE

## < REMOVAL AND INSTALLATION >

5. Remove rear ventilator duct 2 fixing clips (D) and (E).



6. Remove rear ventilator duct 2 (2) by pulling it out toward vehicle rear while lifting up console reinforcement (1).



## INSTALLATION

Install in the reverse order of removal.

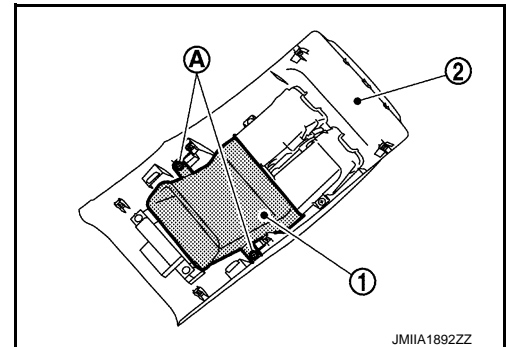
## REAR VENTILATOR DUCT 3

### REAR VENTILATOR DUCT 3 : Removal and Installation

INFOID:000000007566932

## REMOVAL

1. Remove console rear finisher (2). Refer to [IP-21, "Removal and Installation"](#).
2. Remove fixing screws (A), and then remove rear ventilator duct 3 (1).



## INSTALLATION

Install in the reverse order of removal.

## REAR VENTILATOR GRILLE

### REAR VENTILATOR GRILLE : Removal and Installation

INFOID:000000007566933

## REMOVAL


1. Remove rear ventilator duct 3. Refer to [VTL-16, "REAR VENTILATOR DUCT 3 : Removal and Installation"](#).

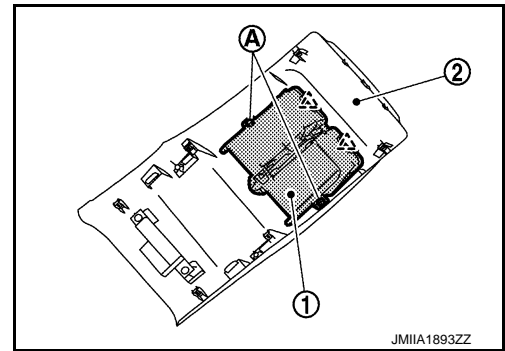


## DUCT AND GRILLE

### < REMOVAL AND INSTALLATION >

2. Remove fixing screws (A).
3. Disengage fixing pawls, and then remove rear ventilator grille (1) from console rear finisher (2).

 : Pawl



### INSTALLATION

Install in reverse order of removal.

A  
B  
C  
D  
E  
F  
G  
H  
VTL  
J  
K  
L  
M  
N  
O  
P

# BLOWER UNIT

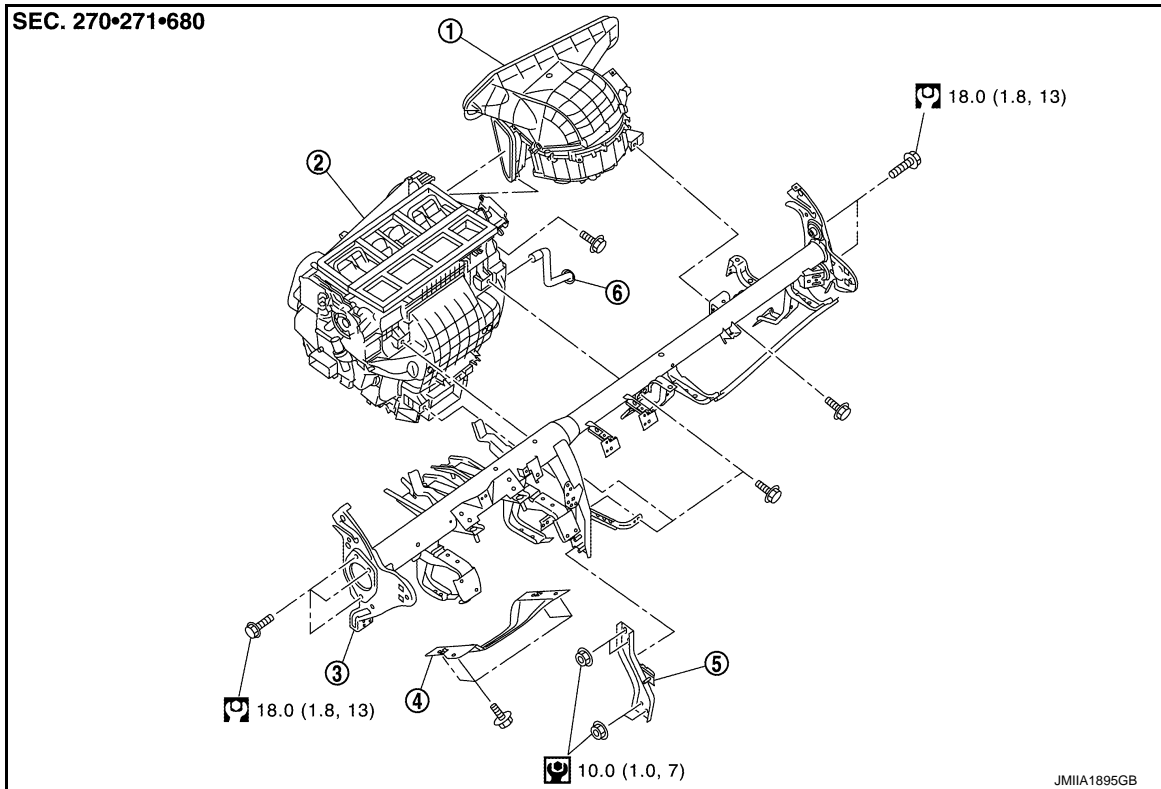
< REMOVAL AND INSTALLATION >

## BLOWER UNIT

Exploded View

INFOID:000000007566934

### REMOVAL



1. Blower unit assembly


2. Heater & cooling unit assembly


3. Steering member

4. Knee protector

5. Instrument stay

6. Drain hose

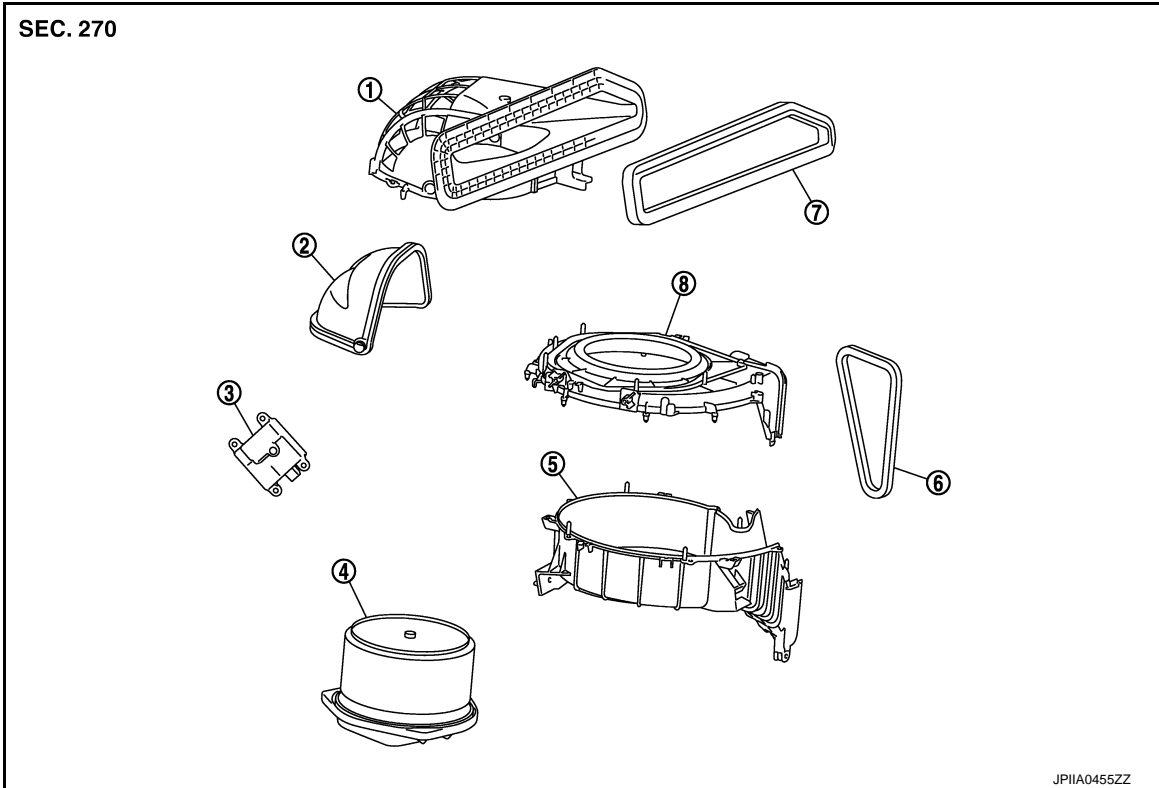
 : N·m (kg-m, in-lb)

 : N·m (kg-m, ft-lb)

### DISASSEMBLY

# BLOWER UNIT

## < REMOVAL AND INSTALLATION >



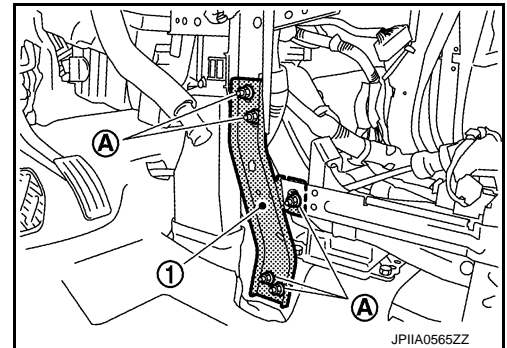
- |                     |                      |                      |
|---------------------|----------------------|----------------------|
| 1. Shutter box case | 2. Intake door       | 3. Intake door motor |
| 4. Blower motor     | 5. Intake lower case | 6. Outlet seal       |
| 7. Intake seal      | 8. Intake upper case |                      |

## Removal and Installation

INFOID:000000007566935

### REMOVAL

1. Remove instrument panel assembly. Refer to [IP-13, "Removal and Installation"](#).
2. Remove mounting nuts (A), and then remove instrument stay (1).

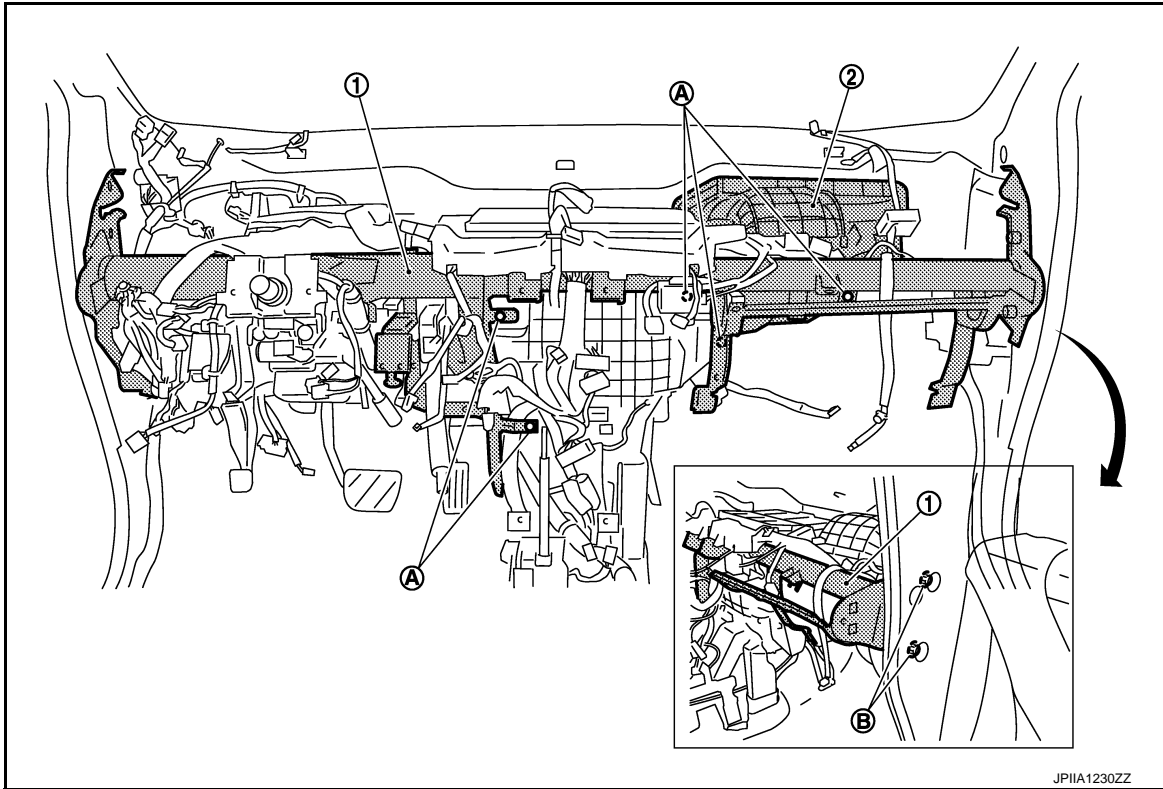


3. Disconnect intake door motor and blower motor harness connectors.
4. Remove heater & cooling unit assembly and blower unit assembly mounting bolts (A).
5. Remove steering member mounting bolts (B). (Passenger side)

# BLOWER UNIT

## < REMOVAL AND INSTALLATION >

6. Pull steering member (1) forward to secure work space, and then remove blower unit assembly (2) in the direction.



## INSTALLATION

Install in the reverse order of removal.

# BLOWER MOTOR

< REMOVAL AND INSTALLATION >

## BLOWER MOTOR

### Exploded View

INFOID:000000007566936

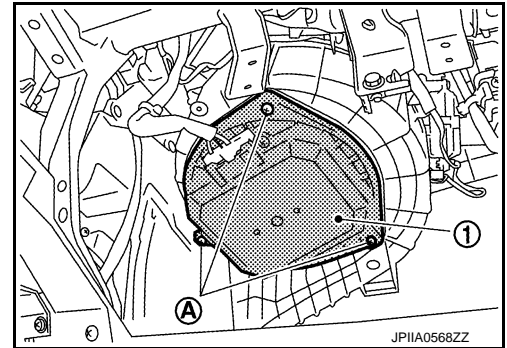
Refer to [VTL-18. "Exploded View"](#).

### Removal and Installation

INFOID:000000007566937

#### REMOVAL

1. Remove instrument lower panel RH. Refer to [IP-12. "Exploded View"](#).
2. Disconnect blower motor harness connector.
3. Remove fixing screws (A), and then remove blower motor (1).



#### INSTALLATION

Install in the reverse order of removal.

A  
B  
C  
D  
E  
F  
G  
H  
J  
K  
L  
M  
N  
O  
P

VTL

# IN-CABIN MICROFILTER

< REMOVAL AND INSTALLATION >

## IN-CABIN MICROFILTER

### Exploded View

INFOID:000000007566938

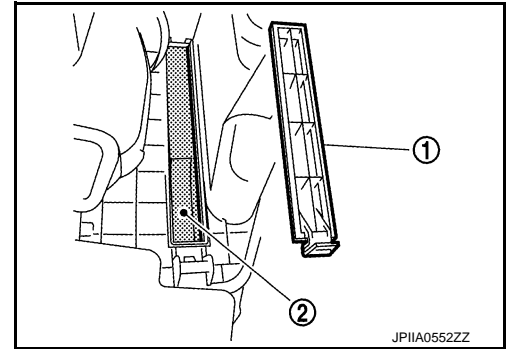
Refer to [HA-43. "Exploded View"](#).

### Removal and Installation

INFOID:000000007566939

#### REMOVAL

1. Remove filter cover (1).
2. Compress in-cabin microfilter (2), and then slide it toward the right side of vehicle.



3. Remove in-cabin microfilter from heater & cooling unit assembly.

#### **CAUTION:**

**If the filter is deformed/damaged when removing, replace it with a new one. Deformed/damaged filter may deteriorate the dust collecting performance.**

#### INSTALLATION

Note the following item, and then install in the reverse order of removal.

#### **CAUTION:**

**When installing, handle the filter with extreme care to avoid deforming/damaging.**

### Replacement

INFOID:000000007566940

Replace in-cabin microfilter.

Refer to [VTL-23. "In-cabin microfilter"](#).

# SERVICE DATA AND SPECIFICATIONS (SDS)

< SERVICE DATA AND SPECIFICATIONS (SDS)

## SERVICE DATA AND SPECIFICATIONS (SDS)

SERVICE DATA AND SPECIFICATIONS (SDS)

In-cabin microfilter

INFOID:000000007566941

Replacement interval	<a href="#">MA-6. "Schedule 1"</a> and <a href="#">MA-8. "Schedule 2"</a> .
----------------------	---

A  
B  
C  
D  
E  
F  
G  
H  
VTL  
J  
K  
L  
M  
N  
O  
P

VTL